

# DV3000 Visual Presence™

## Image Improvement IP Block



### Features

- Drops into the existing parallel pixel pipeline
- Supports any pixel resolution
- Works with 2D or 3D video
- Runs at same speed as pixel clock, at any frame rate
- All intra-frame processing
- All integer arithmetic uses digital logic, no CPU burden
- Pipeline processing uses on-chip FIFO RAM, no external memory needed
- No I/O pins required
- Serial control, only two commands—Darbee Presence 0 – 100 and Bypass
- Proprietary image disparity synthesis
- Patented defocus and subtract using fast 1D integer convolutions
- Proprietary Perceptor™ saliency map
- Modifies per-pixel luminance

### Product Overview

The Darbee Difference™ establishes a fundamental breakthrough for image realism. By putting into an image more of what the brain is expecting to take out, Darbee Visual Presence™ enhanced images help the viewer see them better. More a discovery than invention, our approach tears up the textbooks by efficiently solving two extremely tough challenges for monoscopic digital images—embedding depth cues in real time without creating artifacts.

### Applications

- Flat Panel TVs
- Blu-ray and DVD Players
- Digital Cameras
- Set Top Boxes
- Video Games
- Printers
- Mobile Devices

### IMAGE RESULTS



Ordinary High Def

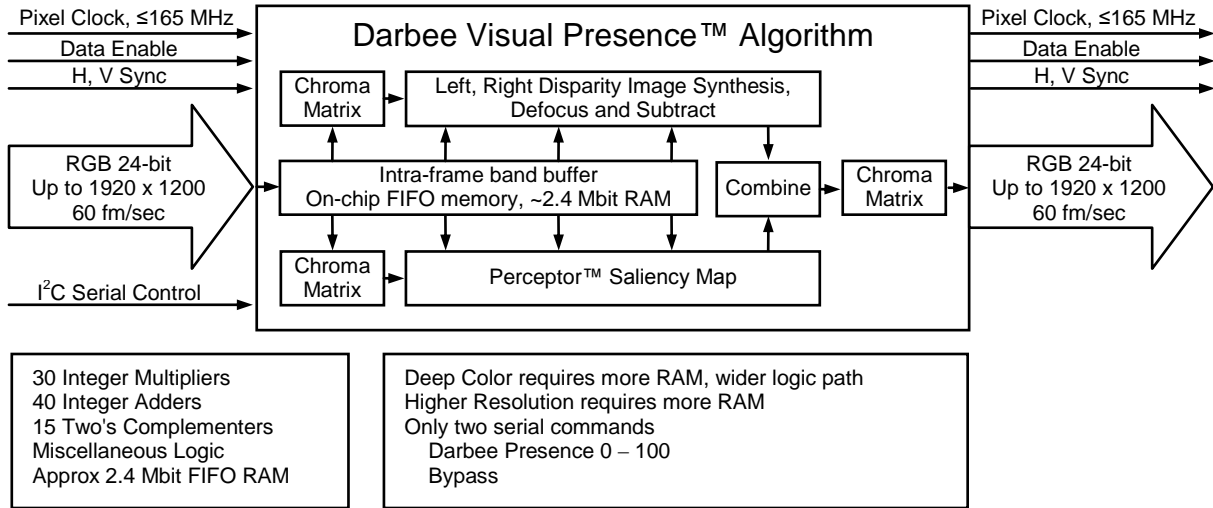
The Darbee Difference™

[www.DarbeeVision.com](http://www.DarbeeVision.com) [info@darbeevision.com](mailto:info@darbeevision.com)

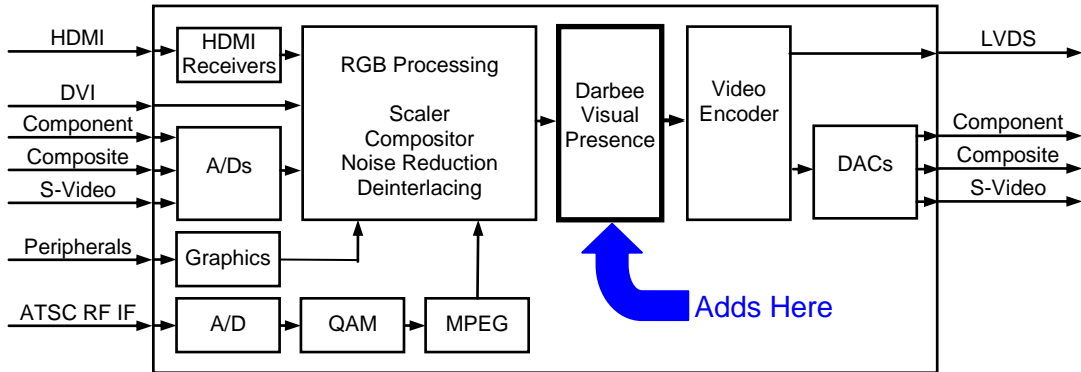
3560 E La Palma Avenue, #303, Anaheim, CA 92806 (714) 931-5941

# DV3000 Visual Presence™ Image Improvement Block

## BLOCK DIAGRAM



## SYSTEM INTERFACE



## MORE IMAGE RESULTS



Ordinary High Def

The Darbee Difference™

[www.DarbeeVision.com](http://www.DarbeeVision.com) [info@darbeevision.com](mailto:info@darbeevision.com)

3560 E La Palma Avenue, #303, Anaheim, CA 92806 (714) 931-5941